

---

# C600-LCD Instructions



## Content

About the User Manual .....	2
Outlook and Size .....	2
Material and Color .....	2
Button Definition .....	3
Function Summary .....	4
Function Summary .....	4
Full View Area .....	6
Normal View Area .....	6
Normal Operation .....	7

---

1. ON/OFF .....	7
2. Current Display .....	7
3. Riding Mode Selection .....	7
4. Speed Display .....	8
5. KM/H & MPH .....	8
6. Backlight Indicator.....	8
7. 6KM/H Work .....	9
8. PAS Level Selection.....	9
9. Error Code Indicator .....	10
10. SET Operation.....	10
11. Distance Indicator .....	12
12. Trip Time Indicator .....	13
13. Battery Indicator .....	13
14. Cable Definition.....	14
15. Auto Sleep After 5 Minutes .....	14
<b>Quality &amp; Warranty</b> .....	15
<b>Quality &amp; Warranty:</b> .....	15
<b>Other Items:</b> .....	15
<b>Error Code Table</b> .....	15

---

## **About the User Manual**

Dear users,

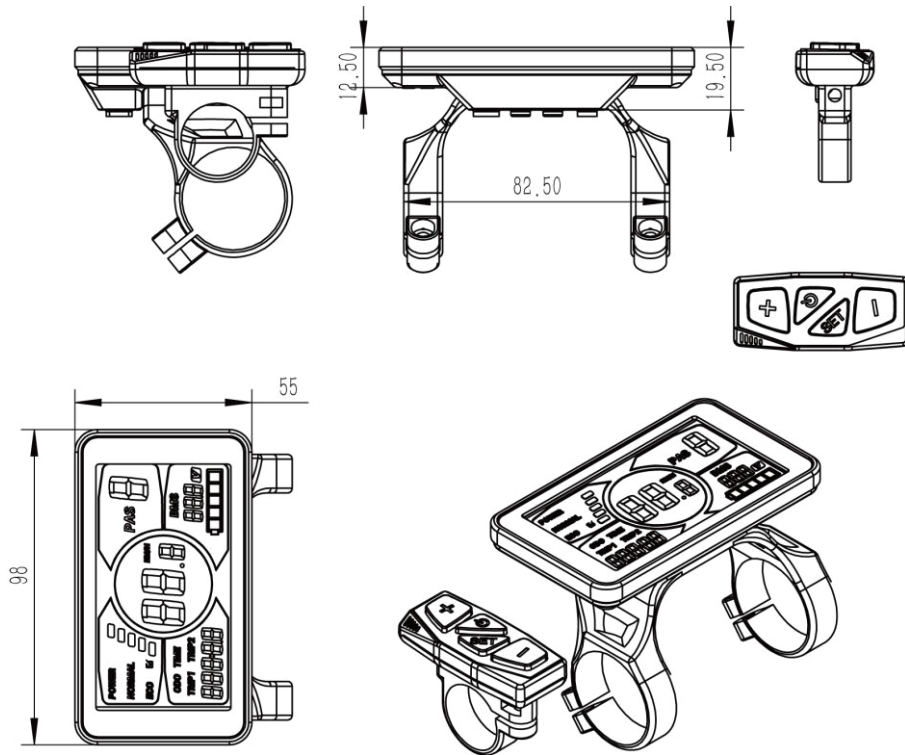
To ensure better performance of your e-bike, please read through the C600 product introduction carefully before using it. We will inform you all the details concisely (including hardware installation, setting and normal operations) when using our display. Meanwhile, the introduction will also help you solve possible confusion and malfunction.

## **Outlook and Size**


### **Material and Color**

C600 products are made of black ABS material and the bracket is made of nylon material. Under the temperature of -20 to 60°C, the shell material can ensure normal usage and good mechanical performance of the products.

Dimension figure (unit: mm)



## Button Definition

C600 has four buttons, including **ON/OFF**、**SET**、**UP** and **DOWN**.“ON/OFF” names to “

---

# Function Summary

## Function Summary

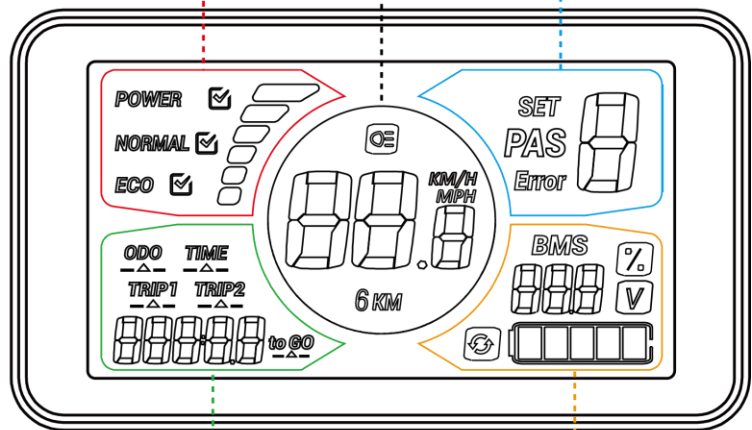
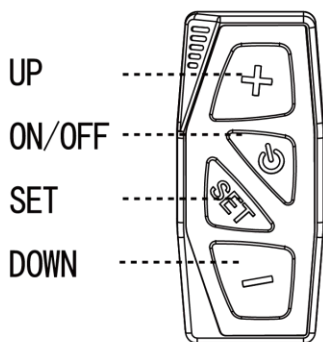
C600 provides a wide range of functions and indicators to fit the users' needs. The indicated contents are as below.

1. ON/OFF
2. Current display
3. Riding mode selection
4. Speed display
5. KM/H & MPH
6. Backlight indicator
7. 6KM/H work
8. PAS level selection
9. Error code indicator
10. SET operation
11. Distance indicator
12. Trip time indicator
13. Battery indicator
14. Cable definition
15. Auto sleep after 5 minutes

- 8. PAS level selection
- 9. Error code indicator
- 10. SET operation

- 4. Speed display
- 5. KM/H & MPH
- 6. Backlight indicator
- 7. 6KM/H work

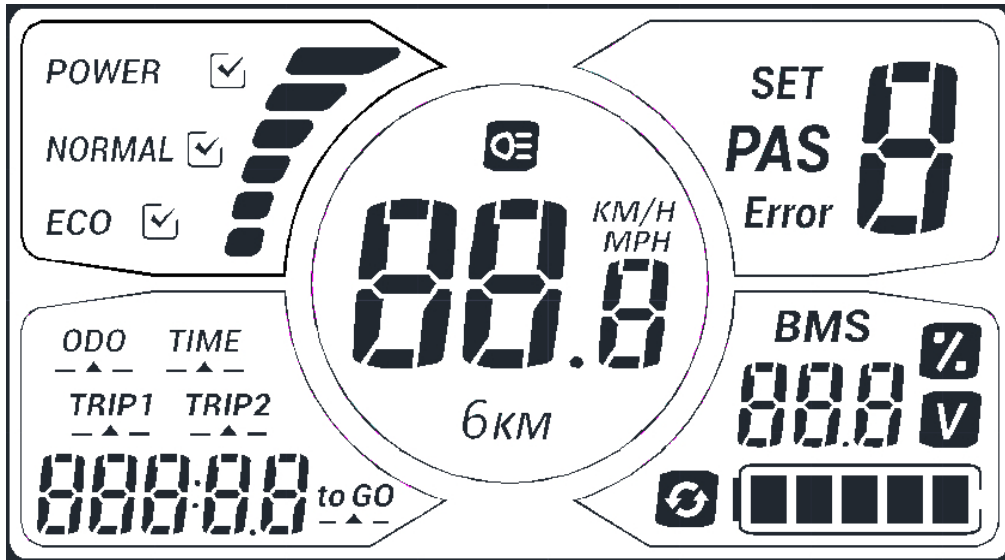
- 3. Riding mode selection



- 11. Distance indicator
  - 11.1 Total distance (ODO)
  - 11.2 Trip 1
  - 11.3 Trip 2
  - 11.4 Remaining distance (to GO)
- 12. Trip time indicator

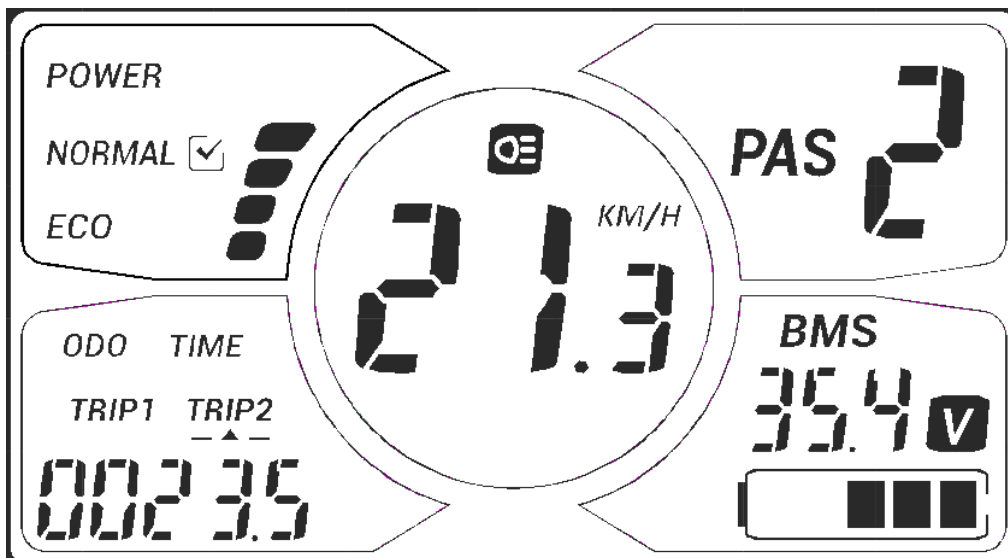
- 13. Battery indicator
  - 13.1 Battery residual capacity indicator
  - 13.2 Battery voltage
  - 13.3 Battery capacity percentage
  - 13.4 Battery charging and discharging times
- 14. Cable definition
- 15. Auto sleep after 5 minutes

## Full View Area



## Normal View Area

With the display on ,the default display are riding speed、trip 2、PAS level、 battery indicator as show in fig below. Press **SET** to switch the display information



---

# Normal Operation

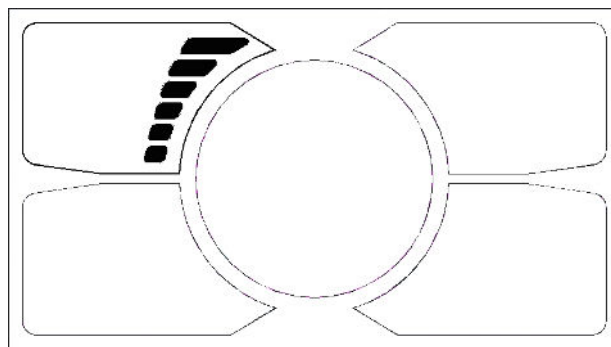
## 1. ON/OFF

Hold **ON/OFF** and start the display. The display will provide power for the controller. Hold **ON/OFF** again to open the backlight. With display on, press **ON/OFF** for 3 seconds to turn off the power. With the display off, there is no battery power consumption. The leakage current is no more than 2  $\mu\text{A}$ .

※ The panel will go to sleep when the speed is 0 km/h for 5 minutes.

## 2. Current Display

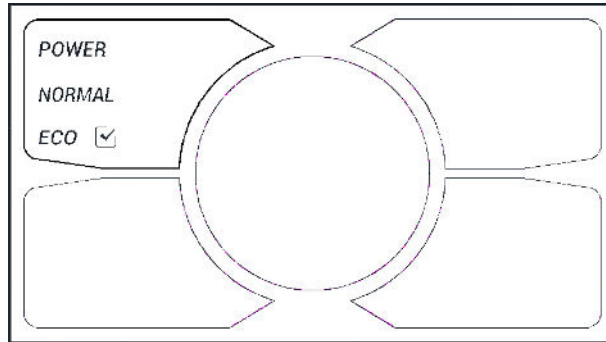
That represents the discharging current of the controller currently, each segment is 2A, six segments is  $\geq 12\text{A}$ .



## 3. Riding Mode Selection

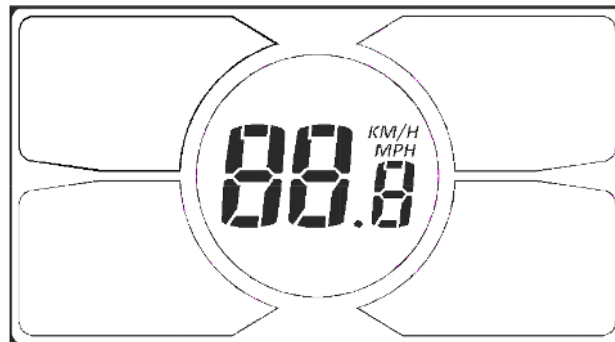
There are three modes for riding with arrow selection, including **POWER**, **NORMAL** and **ECO**. The default option is **NORMAL**.





#### **4. Speed Display**

The speed display is as below, and user can select KM/H or MPH in SET4.

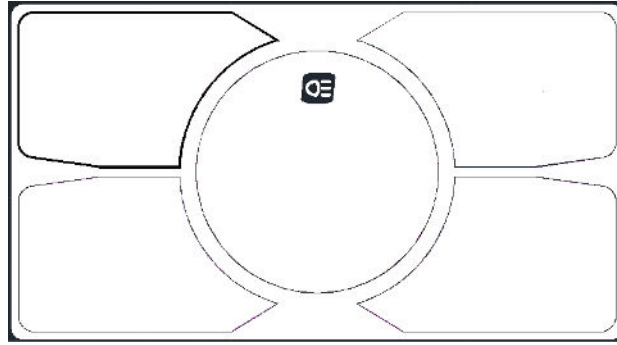


#### **5. KM/H & MPH**

Select KM/H or MPH for the speed and mileage, display will be the currently selected units display.

#### **6. Backlight Indicator**

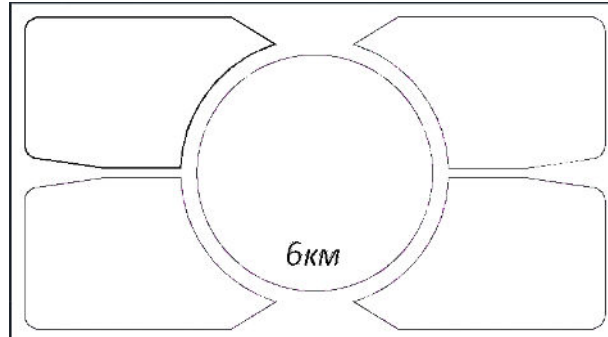
With the power on, click the ON/OFF and turn on the backlight. Click it again and turn off the backlight.



※ If the e-bike has headlight, the controller will turn on/off the headlight at the same time of the backlight on/off (without this function by default)

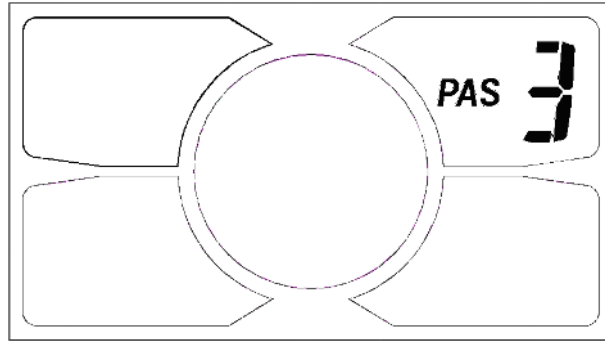
## 7. 6KM/H Work

Hold the DOWN for 2 seconds to get in 6km PAS work, and with your hand off, the 6km PAS work is released. The display is as below.



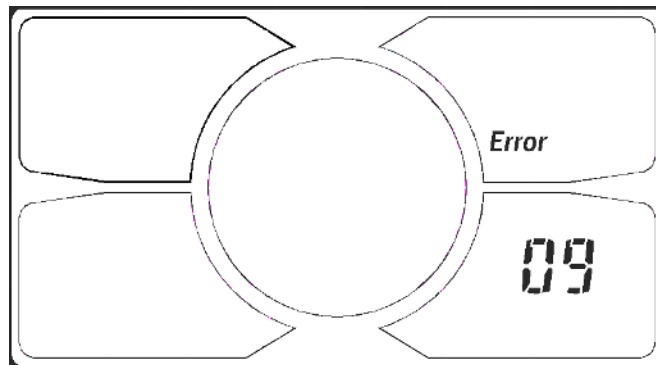
## 8. PAS Level Selection

Click UP or DOWN to change the stages and output power ratio, the default mode is mode 5 and it's output power range from level 1 to level 5 (mode 3 and mode 9 can be customized), the default value is level 1.



## 9. Error Code Indicator

If there is something wrong with the electronic control system, the display will flash at 1 HZ and show the error code automatically. Different error code is corresponding with different fault information, please see the last page Error code table for details.



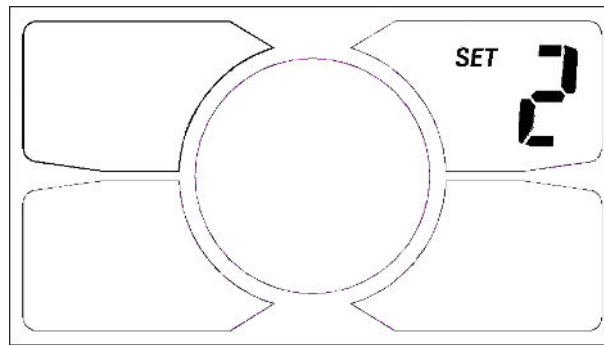
※ Display return to normal only after problem being fixed and e-bike will not run before fixing the problem.

## 10. SET Operation

Hold the SET for 3 seconds and enter into the setting interface, then Number 8 is lighting, the display will flash at 1 HZ. Click the SET to cycle from 0 to 4 setting interface, press UP or DOWN to select the

---

wanted parameter, and hold the SET for 1 second to exit.



### **10.1. SET0: Riding mode selection**

There are three modes for selection: POWER、NORMAL、ECO.

### **10.2. SET1: Reset trip 1 distance**

Click the DOWN to reset the trip 1, then the TRIP1 icon will flash at 1 HZ, meanwhile the trip 1 will be cleared.

### **10.3. SET2: Max speed setting**

The max speed is 25 km/h for the default. In the SET 2 interface, user can modify the value of max speed, when the riding speed exceeds the set value, the controller will stop supplying power to the e-bike, in order to ensure the safety of rider.

※ The max speed value range from 25 km/h to 99.9 km/h. The max speed displays in speed display area. When set max speed 99.9 km/h, there is no limit for riding speed.

---

## **10.4、 SET3: Wheel diameter setting**

Select the accurate wheel diameter value to ensure the accuracy of display about speed and mileage.

## **10.5、 SET4: KM/H & MPH**

Select KM/H or MPH for the speed and mileage, display will be the currently selected units display.

※ Press UP or DOWN to select parameter, hold the SET for 1 second to save and exit.

## **11. Distance Indicator**

With the display on, press SET to switch the display information, in turn shows: ODO, trip 1 and trip 2.

### **11.1 ODO**

The ODO records the driving mileage from using, the accumulated value cannot be cleared.

### **11.2 Trip 1**

Trip 1 can be reset by hand in the SET 1 interface. (when the riding mileage  $\geq 500\text{km}$ , it will be reset automatically. The value will be accumulated without resetting.)

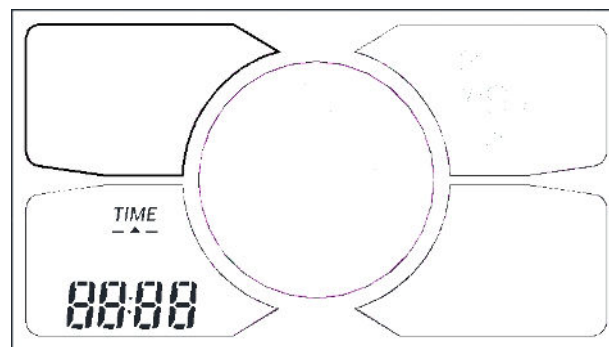
---

## 11.3 Trip 2

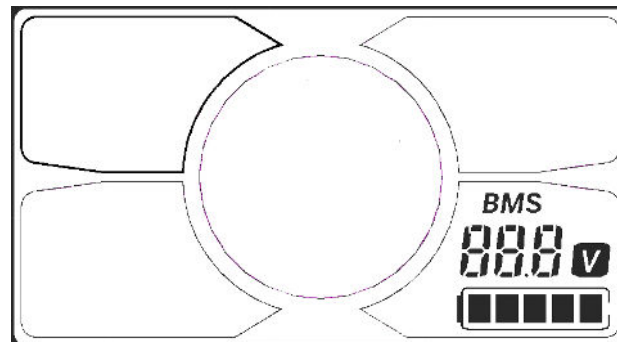
Trip 2 displays the last driving distance for 30 s after turning on the display, then reset it automatically and start to record the current distance.

## 12. Trip Time Indicator

The riding time parameter is automatically reset after shut down.



## 13. Battery Indicator



### 13.1 Battery residual capacity indicator

The battery frame have five segments, each segment represent 20% battery capacity. When the capacity is full, the five segments are all light. In low battery, the battery frame will flash, it indicates that the battery is

---

severely low and needs to be recharged immediately.

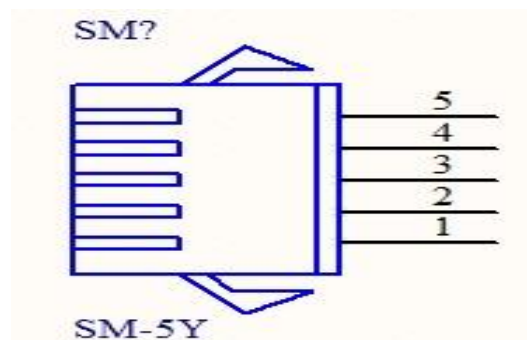


## 13.2 Battery voltage

It displays the current voltage of the battery.

## 14. Cable Definition

- 1 RED: Battery +
- 2 BLUE: Lock
- 3 BLACK: Battery-
- 4 GREEN: UART-RECEIVE (RXD)
- 5 WHITE: UART- SEND (TXD)



## 15. Auto Sleep After 5 Minutes

When the riding speed is 0 km/h for 5 minutes, the system will go to sleep automatically.

## Common Problems & Solutions

Q: Why the display is not able to start up?

A: Checking the connector that between display and controller.

Q: How to deal with the error code?

A: Fix it to the maintenance place immediately. If cannot be

---

resolved, you can go to the electric vehicle repair points repair it in a timely manner.

## **Quality & Warranty**

### **Quality & Warranty:**

- 1、 Any quality problems in normal case and in guarantee period, our company will responsible for the warranty.
- 2、 The warranty time is 18 months from date of purchasing.

### **Other Items:**

The following items are not belong to warranty scope.

1. It can not be demolished.
2. The damage caused by wrong installation or operation.
3. Shell is broken when display is out of the factory.
4. Wire is broken.
5. Force disaster (such as fire, earthquake, etc.) or natural disasters like lightning, etc caused by fault or damage.
6. Beyond Warranty period.

## **Error Code Table**

The error code is corresponding with the fault definition.



---

<b>Error code</b>	<b>Definition</b>
21	Current Abnormality
22	Throttle Abnormality
23	Motor Phase Abnormality
24	Motor Hall Signal Abnormality
25	Brake Abnormality
09	Panel Communication Abnormality